

# Liquid Level Wire Probe

## Data Sheet

Type: HBLT-Wire



### Purpose:

Better, compact and more cost efficient the HBLT-Wire is a field adjustable capacitive liquid level sensor designed to measure refrigerant levels in traditional stationary systems such as vessels, receivers or accumulators as well as in marine systems.

The HBLT-Wire is an all in one length probe. The flexible sensor wire provides on the job length adjustability, so one part number covers all application requirements.

The sensor has an output signal of 4-20 mA, which is proportional to the 0 and 100% of liquid level.



### Contact Information:

Parker Hannifin Corporation  
**Refrigerating Specialties Division**  
2445 South 25th. Avenue  
Broadview, IL 60155-3891

phone (708) 681-6300  
fax (708) 681-6306

[www.parker.com/refspec](http://www.parker.com/refspec)



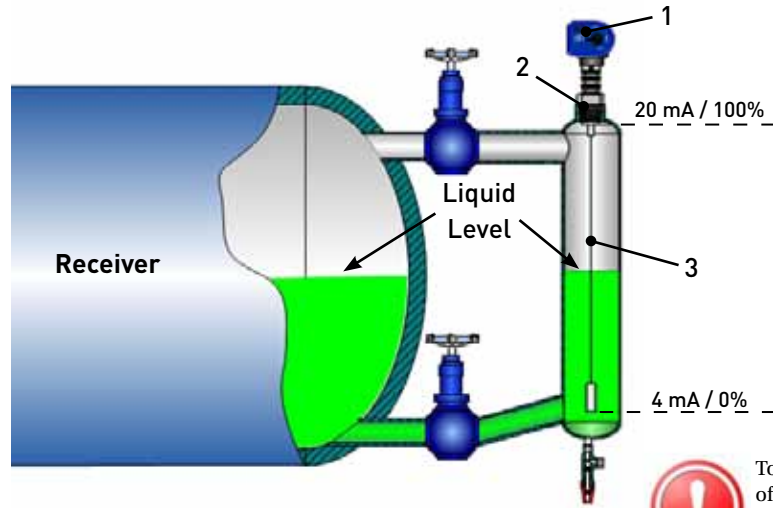
### Product Features:

- Suitable for ammonia and halocarbon refrigerants
- Adjustable length: Cut and configure wire from 300 to 4000 mm (12 to 157 in)
- "Plug and Play"  
No requirement for re-calibration or dead zone optimization
- Configure and calibrate using a free windows utility
- "Service Friendly" Electronic head and probe can be separated without emptying the vessel
- One alarm output available
- Physically backwardly compatible with Refrigerating Specialties Depth Probe Tracker and ELL probe models
- Can be used w/o controller for basic level control

ENGINEERING YOUR SUCCESS.

## Technical Data

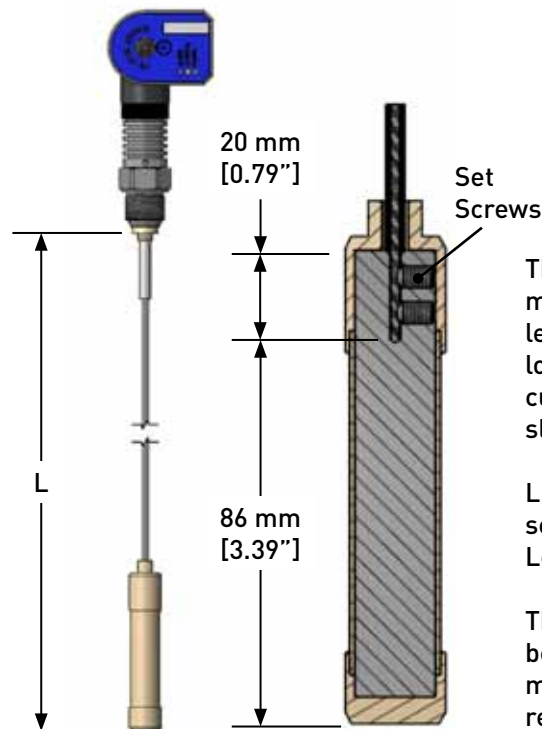
- Liquid Temperature Range:  
-50°C to 100°C (-58°F to 212°F)
- Ambient Temperature Range:  
*During operation*  
-30°C to 50°C (-22°F to 122°F)
- Max Working Pressure:  
100 bar (1450 psig)
- Connection:  
HBLT-Wire-2: 3/4" NPT  
HBLT-Wire-6: 3/4" BSPP <sup>(1)</sup>
- Wire Probe Length Range:  
300 mm to 4000 mm (12" to 157")
- Supply Voltage and Load:  
24V AC/DC ±10% (50/60 Hz) 1.5 W
- Maximum Load Resistance:  
500 ohm
- Electronic Connection:  
M12, 5 pin - 5 m (196") Long
- Analog Output (3 - Wire):  
4 - 20 mA (0 - 100%)
- Alarm Range:  
10% to 100%
- Digital Output (Alarm Output):  
PNP, 1 A
- Output Function (Programmable):  
Normally Open (NO)  
Normally Closed (NC)
- LED Indication:
  - Calibration (yellow)
  - Power (green)
  - Alarm (red)
- Protection Rating:  
IP65
- Approvals:  
EMC Emission EN61000-3-2  
EMC Immunity EN61000-4-2  
GOST-R No. 0903044



To avoid accumulation of oil in the stand pipe a 10 degree slope on connection pipe is recommended.

**Diagram: Liquid Level Wire Probe (HBLT-Wire)**

No.	Part Description	Material
1	Electronic Head	GF BLK, Nylon 6 (PA), Glass Fiber
2	Thread	S.S. AISI 303
3	Probe	Wire with Teflon Sleeve



The HBLT-Wire is easily modified to the desired length in the field by loosening the set screws and cutting the wire and teflon sleeve to length.

L is the programmable sensor length [L = Wire Length + 86 mm [3.39"]]

The teflon sleeve must be trimmed back 20 mm [0.79"] prior to reconnecting the weight.

<sup>(1)</sup> Non-stocked item.